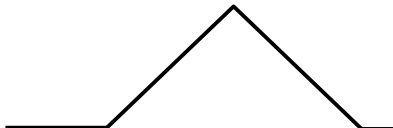
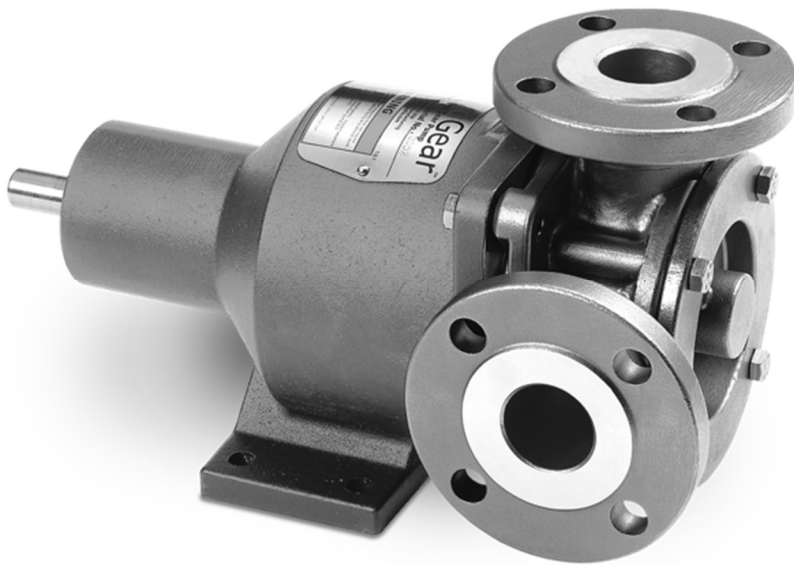


COMPETITIVE DIMENSIONAL COMPARISON

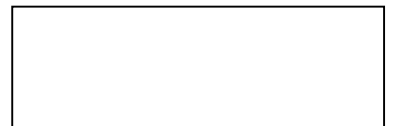
# E Series Seal-less Internal Gear Pumps



*Blackmer*



Where Innovation Flows



1901-005

Always read the most current version of this manual before performing any work on or around this pump. The most current version of this manual is freely available on the web at [www.blackmer.com](http://www.blackmer.com)

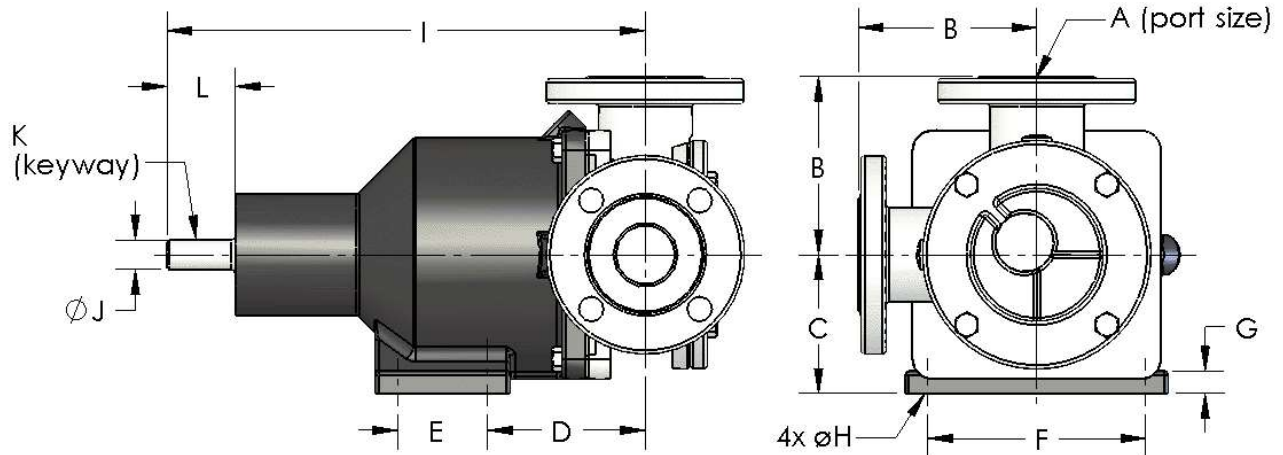
Blackmer pumps are specifically configured for your unique application conditions. Those application conditions and the details of the pump configuration were documented during the ordering process. Keep that information available in a safe place, as it may be needed when troubleshooting pump problems or when ordering spare parts or repairs.

Blackmer Gear Pumps are covered by one or more of the following patents: U.S. Patent Nos. 7549205, 7137793, 7183683, 8,608,465B2 Australian Patent No. AU2005233534B2; Korean Patent No. 10-2006-7023162; Mexican Patent No. PA/2006/011436, Russian Patent No. 2006138540(041952); China Patent No. ZL 201280031563.6; and other patents pending.

# DIMENSIONAL COMPARISON

## Dimensional Comparison of E Series and Viking Pump

<b>E Series Model:</b>	<b>E1-2</b>
<b>Viking Model:</b>	<b>"H"</b>
<b>Ideal Flowrate:</b>	0.0095 gallons per rev



### Pumps with 1 1/2" NPT tapped ports

Dim	E Series Value	Viking Value					
		H4124A (CI)	H4125 (CI)	H4225 (CI)	H4124 (CI)	H4126A (DI)	H4724 (SS)
A	1 1/2" NPT	✓	✓	✓	✓	✓	✓
B	3.000	✓	✓	✓	✓	✓	3.500
C	3.500	✓	✓	✓	✓	✓	✓
D	4.000	✓	✓	✓	✓	✓	3.875
E	2.250	✓	✓	✓	✓	✓	✓
F	5.500	✓	✓	✓	✓	✓	✓
G	0.563	✓	✓	✓	✓	✓	✓
H	0.468	✓	✓	✓	✓	✓	✓
I	12.063	✓	✓	✓	✓	✓	11.938
J	0.750	✓	✓	✓	✓	✓	✓
K	.188 square	✓	✓	✓	✓	✓	✓
L	1.625 (min)	✓	✓	✓	✓	✓	✓

**Pumps with 1 1/2" ANSI 150# flanged ports**

Dim	E Series Value	Viking Value				
		H4124A (CI)	H4125 (CI)	H4225 (CI)	H4123A (CS)	H4127A (SS)
A	1 1/2" ANSI 150#	✓(1)	✓(1)	✓(1)	✓	✓
B	4.000	✓	✓	✓	✓	✓
C	3.500	✓	✓	✓	✓	✓
D	4.000	✓	✓	✓	✓	✓
E	2.250	✓	✓	✓	✓	✓
F	5.500	✓	✓	✓	✓	✓
G	0.563	✓	✓	✓	✓	✓
H	0.468	✓	✓	✓	✓	✓
I	12.063	✓	✓	✓	✓	✓
J	0.750	✓	✓	✓	✓	✓
K	.188 square	✓	✓	✓	✓	✓
L	1.625 (min)	✓	✓	✓	✓	✓

(1) = FLANGED PORTS OPTIONAL FOR THESE VIKING MODELS

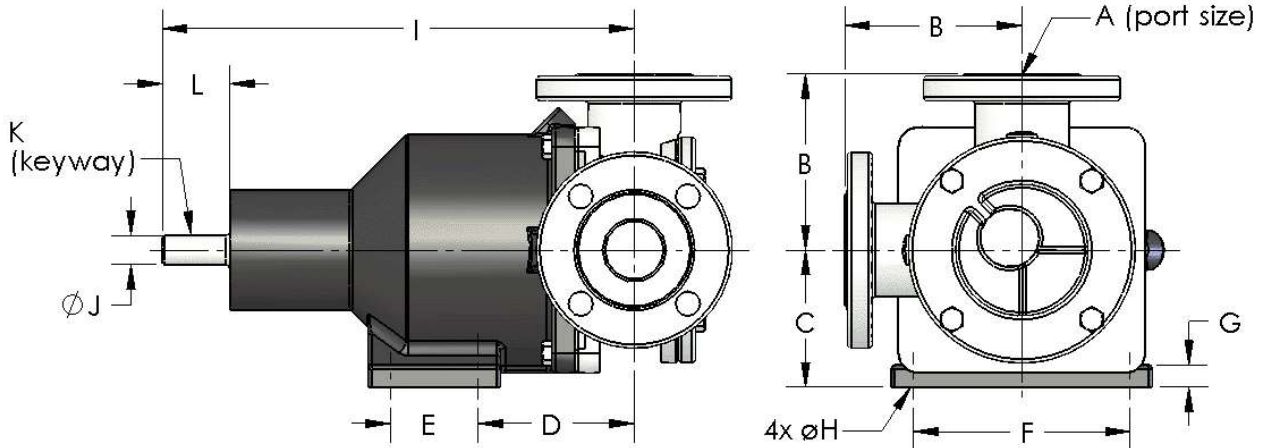
**Pumps with 2" ANSI 150# flanged ports (optional)**

Dim	E Series Value	Viking Value				
		H4124A (CI)	H4125 (CI)	H4225 (CI)	H4124 (C1)	H4127A (SS)
A	1 1/2" ANSI 150#	✓	✓	✓	✓	✓
B	4.000	4.000	4.000	4.000	4.000	4.000
C	3.500	✓	✓	✓	✓	✓
D	4.000	✓	✓	✓	✓	✓
E	2.250	✓	✓	✓	✓	✓
F	5.500	✓	✓	✓	✓	✓
G	0.563	✓	✓	✓	✓	✓
H	0.468	✓	✓	✓	✓	✓
I	12.063	✓	✓	✓	✓	✓
J	0.750	✓	✓	✓	✓	✓
K	.188 square	✓	✓	✓	✓	✓
L	1.625 (min)	✓	✓	✓	✓	✓

# DIMENSIONAL COMPARISON

## Dimensional Comparison of E Series and Viking Pump

<b>E Series Model:</b>	<b>E1-4</b>
<b>Viking Model:</b>	<b>"HL"</b>
<b>Ideal Flowrate:</b>	0.0188 gallons per rev



**Pumps with 1 1/2" NPT tapped ports**

Dim	E Series Value	Viking Value					
		HL4124A (CI)	HL4125 (CI)	HL4225 (CI)	HL4124 (CI)	HL4126A (DI)	HL4724 (SS)
A	1 1/2" NPT	✓	✓	✓	✓	✓	✓
B	3.000	✓	✓	✓	✓	✓	3.500
C	3.500	✓	✓	✓	✓	✓	✓
D	4.000	✓	✓	✓	✓	✓	3.875
E	2.250	✓	✓	✓	✓	✓	✓
F	5.500	✓	✓	✓	✓	✓	✓
G	0.563	✓	✓	✓	✓	✓	✓
H	0.468	✓	✓	✓	✓	✓	✓
I	12.063	✓	✓	✓	✓	✓	11.938
J	0.750	✓	✓	✓	✓	✓	✓
K	.188 square	✓	✓	✓	✓	✓	✓
L	1.625 (min)	✓	✓	✓	✓	✓	✓

**Pumps with 1 1/2" ANSI 150# flanged ports**

Dim	E Series Value	Viking Value				
		HL4124A (CI)	HL4125 (CI)	HL4225 (CI)	HL4123A (CS)	HL4127A (SS)
A	1 1/2" ANSI 150#	✓(1)	✓(1)	✓(1)	✓	✓
B	4.000	✓	✓	✓	✓	✓
C	3.500	✓	✓	✓	✓	✓
D	4.000	✓	✓	✓	✓	✓
E	2.250	✓	✓	✓	✓	✓
F	5.500	✓	✓	✓	✓	✓
G	0.563	✓	✓	✓	✓	✓
H	0.468	✓	✓	✓	✓	✓
I	12.063	✓	✓	✓	✓	✓
J	0.750	✓	✓	✓	✓	✓
K	.188 square	✓	✓	✓	✓	✓
L	1.625 (min)	✓	✓	✓	✓	✓

(1) = FLANGED PORTS OPTIONAL FOR THESE VIKING MODELS

**Pumps with 2" ANSI 150# flanged ports (optional)**

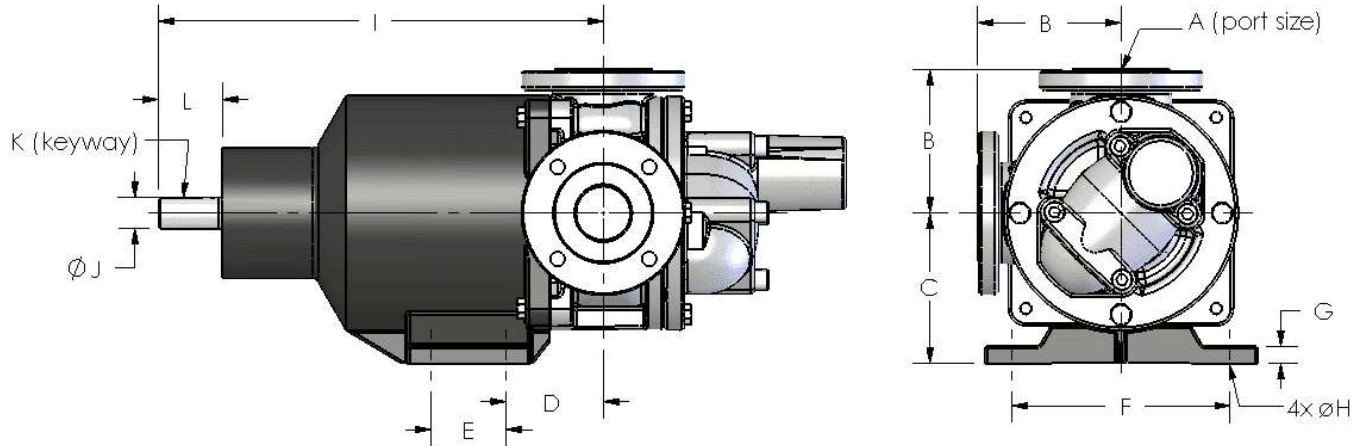
Dim	E Series Value	Viking Value				
		HL4124A (CI)	HL4125 (CI)	HL4225 (CI)	HL4124 (C1)	HL4127A (SS)
A	1 1/2" ANSI 150#	✓	✓	✓	✓	✓
B	4.000	4.000	4.000	4.000	4.000	4.000
C	3.500	✓	✓	✓	✓	✓
D	4.000	✓	✓	✓	✓	✓
E	2.250	✓	✓	✓	✓	✓
F	5.500	✓	✓	✓	✓	✓
G	0.563	✓	✓	✓	✓	✓
H	0.468	✓	✓	✓	✓	✓
I	12.063	✓	✓	✓	✓	✓
J	0.750	✓	✓	✓	✓	✓
K	.188 square	✓	✓	✓	✓	✓
L	1.625 (min)	✓	✓	✓	✓	✓



# DIMENSIONAL COMPARISON

## Dimensional Comparison of E Series and Viking Pump

<b>E Series Model:</b>	<b>E1-24</b>
<b>Viking Model:</b>	<b>"K"</b>
<b>Ideal Flowrate:</b>	0.105 gallons per rev



**Pumps with 2" NPT tapped ports**

Dim	E Series Value	Viking Value					
		K4124A (CI)	K4125 (CI)	K4225 (CI)	K4124 (CI)	K4126A (DI)	K4724 (SS)
A	2" NPT	✓	✓	✓	✓	✓	✓
B	5.125	✓	✓	✓	✓	✓	✓
C	5.500	✓	✓	✓	✓	✓	✓
D	3.625	✓	✓	✓	✓	✓	✓
E	2.750	✓	✓	✓	✓	✓	✓
F	8.000	✓	✓	✓	✓	✓	✓
G	0.625	✓	✓	✓	✓	✓	✓
H	0.531	✓	✓	✓	✓	✓	✓
I	16.375	✓	✓	✓	✓	✓	✓
J	1.125	✓	✓	✓	✓	✓	✓
K	.250 square	✓	✓	✓	✓	✓	✓
L	2.250 (min)	✓	✓	✓	✓	✓	✓

**Pumps with 2" ANSI 150# flanged ports**

Dim	E Series Value	Viking Value				
		K4124A (CI)	K4125 (CI)	K4225 (CI)	K4123A (CS)	K4127A (SS)
A	2" ANSI 150#	✓	✓	✓	✓	✓
B	5.250	✓	✓	✓	✓	✓
C	5.500	✓	✓	✓	✓	✓
D	3.625	✓	✓	✓	✓	✓
E	2.750	✓	✓	✓	✓	✓
F	8.000	✓	✓	✓	✓	✓
G	0.625	✓	✓	✓	✓	✓
H	0.531	✓	✓	✓	✓	✓
I	16.375	✓	✓	✓	✓	✓
J	1.125	✓	✓	✓	✓	✓
K	.250 square	✓	✓	✓	✓	✓
L	2.250 (min)	✓	✓	✓	✓	✓

(1) = FLANGED PORTS OPTIONAL FOR THESE VIKING MODELS

**Pumps with 3" ANSI 150# flanged ports (optional)**

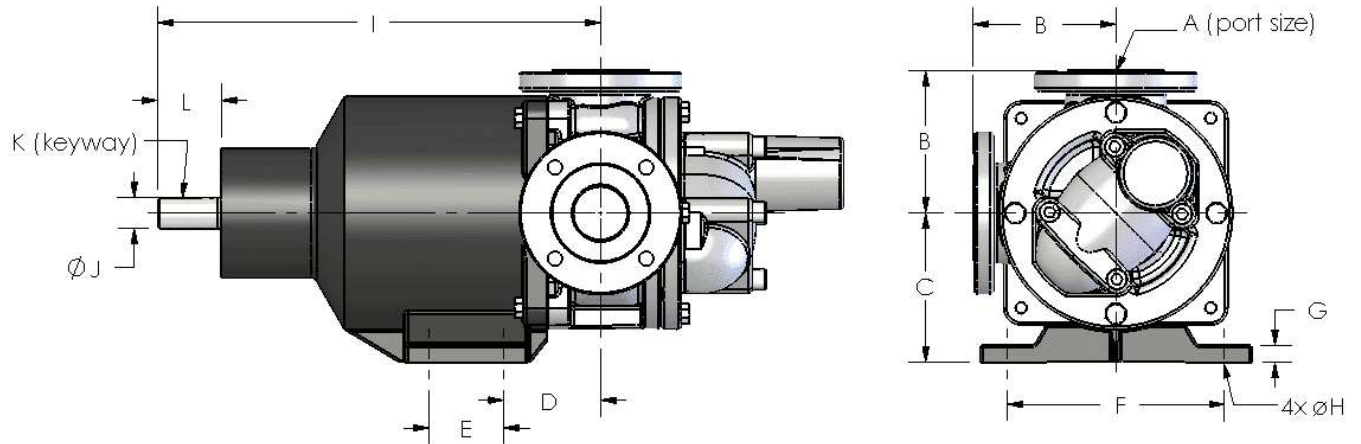
Dim	E Series Value	Viking Value					
		K4124A (CI)	K4125 (CI)	K4225 (CI)	K4223A (CS)	K4127A (SS)	K4227A (SS)
A	3" ANSI 150#	✓	✓	✓	✓	✓	✓
B	5.250	✓	✓	✓	✓	✓	✓
C	5.500	✓	✓	✓	✓	✓	✓
D	3.625	✓	✓	✓	✓	✓	✓
E	2.750	✓	✓	✓	✓	✓	✓
F	8.000	✓	✓	✓	✓	✓	✓
G	0.625	✓	✓	✓	✓	✓	✓
H	0.531	✓	✓	✓	✓	✓	✓
I	16.375	✓	✓	✓	✓	✓	✓
J	1.125	✓	✓	✓	✓	✓	✓
K	.250 square	✓	✓	✓	✓	✓	✓
L	2.250 (min)	✓	✓	✓	✓	✓	✓



# DIMENSIONAL COMPARISON

## Dimensional Comparison of E Series and Viking Pump

<b>E Series Model:</b>	<b>E1-32</b>
<b>Viking Model:</b>	<b>“KK”</b>
<b>Ideal Flowrate:</b>	0.141 gallons per rev



### Pumps with 2" NPT tapped ports

Dim	E Series Value	Viking Value					
		KK4124A (CI)	KK4125 (CI)	KK4225 (CI)	KK4124 (CI)	KK4126A (DI)	KK4724 (SS)
A	2" NPT	✓	✓	✓	✓	✓	✓
B	5.125	✓	✓	✓	✓	✓	✓
C	5.500	✓	✓	✓	✓	✓	✓
D	3.625	✓	✓	✓	✓	✓	✓
E	2.750	✓	✓	✓	✓	✓	✓
F	8.000	✓	✓	✓	✓	✓	✓
G	0.625	✓	✓	✓	✓	✓	✓
H	0.531	✓	✓	✓	✓	✓	✓
I	16.375	✓	✓	✓	✓	✓	✓
J	1.125	✓	✓	✓	✓	✓	✓
K	.250 square	✓	✓	✓	✓	✓	✓
L	2.250 (min)	✓	✓	✓	✓	✓	✓

### Pumps with 2" ANSI 150# flanged ports

Dim	E Series Value	Viking Value				
		KK4124A (CI)	KK4125 (CI)	KK4225 (CI)	KK4123A (CS)	KK4127A (SS)
A	2" ANSI 150#	✓	✓	✓	✓	✓
B	5.250	✓	✓	✓	✓	✓
C	5.500	✓	✓	✓	✓	✓
D	3.625	✓	✓	✓	✓	✓
E	2.750	✓	✓	✓	✓	✓
F	8.00	✓	✓	✓	✓	✓
G	0.625	✓	✓	✓	✓	✓
H	0.531	✓	✓	✓	✓	✓
I	16.375	✓	✓	✓	✓	✓
J	1.125	✓	✓	✓	✓	✓
K	.250 square	✓	✓	✓	✓	✓
L	2.250 (min)	✓	✓	✓	✓	✓

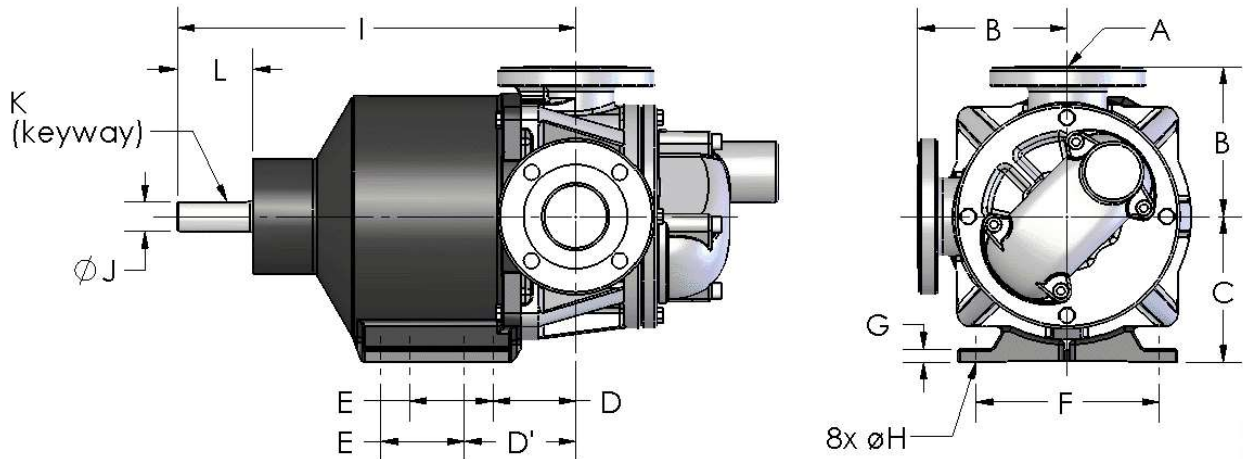
(1) = FLANGED PORTS OPTIONAL FOR THESE VIKING MODELS

### Pumps with 3" ANSI 150# flanged ports (optional)

Dim	E Series Value	Viking Value					
		KK4124A (CI)	KK4125 (CI)	KK4225 (CI)	KK4223A (CS)	KK4127A (SS)	KK4227A (SS)
A	3" ANSI 150#	✓	✓	✓	✓	✓	✓
B	5.250	✓	✓	✓	✓	✓	✓
C	5.500	✓	✓	✓	✓	✓	✓
D	3.625	✓	✓	✓	✓	✓	✓
E	2.750	✓	✓	✓	✓	✓	✓
F	8.000	✓	✓	✓	✓	✓	✓
G	0.625	✓	✓	✓	✓	✓	✓
H	0.531	✓	✓	✓	✓	✓	✓
I	16.375	✓	✓	✓	✓	✓	✓
J	1.125	✓	✓	✓	✓	✓	✓
K	.250 square	✓	✓	✓	✓	✓	✓
L	2.250 (min)	✓	✓	✓	✓	✓	✓

**Dimensional Comparison of E Series and Viking Pump**

<b>E Series Model:</b>	<b>E1-55</b>
<b>Viking Model:</b>	<b>"L" or "LQ"</b>
<b>Ideal Flowrate:</b>	0.238 gallons per rev



**Pumps with 2" NPT tapped ports**

Dim	E Series Value	Viking Value					
		L4124A (CI)	L4125 (CI)	L4225 (CI)	L4124 (CI)	L4126A (DI)	L4724 (SS)
A	3" ANSI 150#	2" NPT	2" NPT	2" NPT	2" NPT	2" NPT	2" NPT
B	7.188	6.500	6.500	6.500	6.500	6.500	6.500
C	7.000	✓	✓	✓	✓	✓	✓
D	4.000	✓	✓	✓	✓	✓	✓
D <sup>1</sup>	5.375	n/a	n/a	n/a	n/a	n/a	n/a
E	4.000	✓	✓	✓	✓	✓	✓
F	8.750	✓	✓	✓	✓	✓	✓
G	0.625	✓	✓	✓	✓	✓	✓
H	0.531	✓	✓	✓	✓	✓	✓
Standard Shaft	I	19.250	17.875	17.875	17.875	17.875	17.875
	J	1.438	1.125	1.125	1.125	1.125	1.125
	K	.375 square	.250 sq	.250 sq	.250 sq	.250 sq	.250 sq
	L	3.500 (min)	2.250	2.250	2.250	2.250	2.250
Optional Small Shaft	I	17.875	✓	✓	✓	✓	✓
	J	1.125	✓	✓	✓	✓	✓
	K	.250 sq	✓	✓	✓	✓	✓
	L	2.250 (min)	✓	✓	✓	✓	✓

**Pumps with 3" ANSI 150# flanged ports (optional)**

Dim	E Series Value	Viking Value				
		LQ4124A (CI)	LQ4125 (CI)	LQ4225 (CI)	LQ4124 (CI)	
A	3" ANSI 150#	✓	✓	✓	✓	
B	7.188	✓	✓	✓	✓	
C	7.000	✓	✓	✓	✓	
D	4.000	✓	✓	✓	✓	
D1	5.375	n/a	n/a	n/a	n/a	
E	4.000	✓	✓	✓	✓	
F	8.750	✓	✓	✓	✓	
G	0.625	✓	✓	✓	✓	
H	0.531	✓	✓	✓	✓	
Standard Shaft	I	19.250	17.875	17.875	17.875	17.875
	J	1.438	1.125	1.125	1.125	1.125
	K	.375 square	.250 sq	.250 sq	.250 sq	.250 sq
	L	3.500 (min)	2.250	2.250	2.250	2.250
Optional Small Shaft	I	17.875	✓	✓	✓	✓
	J	1.125	✓	✓	✓	✓
	K	.250 sq	✓	✓	✓	✓
	L	2.250 (min)	✓	✓	✓	✓

**Pumps with 2 1/2" ANSI 150# flanged ports**

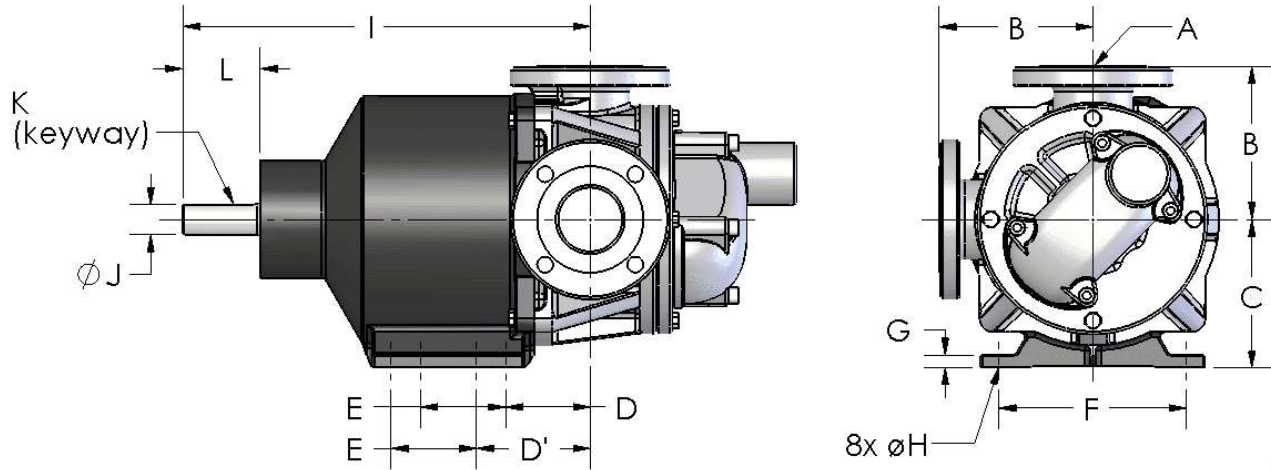
Dim	E Series Value	Viking Value							
		LQ4124A (CI)	LQ4125 (CI)	LQ4225 (CI)	LQ4124 (CI)	LQ4126A (DI)	LQ4123A (CS)	LQ4127A (SS)	LQ4724 (SS)
A	3" ANSI 150#	2 1/2" ANSI 150#	2 1/2" ANSI 150#	2 1/2" ANSI 150#	2 1/2" ANSI 150#	2 1/2" ANSI 150#	2 1/2" ANSI 150#	2 1/2" ANSI 150#	2 1/2" ANSI 150#
B	7.188	✓	✓	✓	✓	✓	✓	✓	✓
C	7.000	✓	✓	✓	✓	✓	✓	✓	✓
D	4.000	✓	✓	✓	✓	✓	✓	✓	✓
D1	5.375	n/a	n/a	n/a	n/a	n/a	n/a	n/a	n/a
E	4.000	✓	✓	✓	✓	✓	✓	✓	✓
F	8.750	✓	✓	✓	✓	✓	✓	✓	✓
G	0.625	✓	✓	✓	✓	✓	✓	✓	✓
H	0.531	✓	✓	✓	✓	✓	✓	✓	✓
Standard Shaft	I	19.250	17.875	17.875	17.875	17.875	17.875	17.875	17.875
	J	1.438	1.125	1.125	1.125	1.125	1.125	1.125	1.125
	K	.375 square	.250 sq	.250 sq	.250 sq	.250 sq	.250 sq	.250 sq	.250 sq
	L	3.500 (min)	2.250	2.250	2.250	2.250	2.250	2.250	2.250
Optional Small Shaft	I	17.875	✓	✓	✓	✓	✓	✓	✓
	J	1.125	✓	✓	✓	✓	✓	✓	✓
	K	.250 sq	✓	✓	✓	✓	✓	✓	✓
	L	2.250 (min)	✓	✓	✓	✓	✓	✓	✓

**Pumps with 4" ANSI 150# flanged ports (optional)**

Dim	E Series Value	Viking Value					
		LQ4124A (CI)	LQ4125 (CI)	LQ4225 (CI)	LQ4124 (CI)	LQ4126A (DI)	LQ4123A (CS)
A	3" ANSI 150#	✓	✓	✓	✓	✓	✓
B	7.188	✓	✓	✓	✓	✓	✓
C	7.000	✓	✓	✓	✓	✓	✓
D	4.000	✓	✓	✓	✓	✓	✓
D <sup>1</sup>	5.375	n/a	n/a	n/a	n/a	n/a	n/a
E	4.000	✓	✓	✓	✓	✓	✓
F	8.750	✓	✓	✓	✓	✓	✓
G	0.625	✓	✓	✓	✓	✓	✓
H	0.531	✓	✓	✓	✓	✓	✓
Standard Shaft	I	19.250	17.875	17.875	17.875	17.875	17.875
	J	1.438	1.125	1.125	1.125	1.125	1.125
	K	.375 square	.250 sq	.250 sq	.250 sq	.250 sq	.250 sq
	L	3.500 (min)	2.250	2.250	2.250	2.250	2.250
Optional Small Shaft	I	17.875	✓	✓	✓	✓	✓
	J	1.125	✓	✓	✓	✓	✓
	K	.250 sq	✓	✓	✓	✓	✓
	L	2.250 (min)	✓	✓	✓	✓	✓

**Dimensional Comparison of E Series and Viking Pump**

<b>E Series Model:</b>	<b>E1-69</b>
<b>Viking Model:</b>	<b>"LL"</b>
<b>Ideal Flowrate:</b>	0.297 gallons per rev



**Pumps with 3" ANSI 150# flanged ports**

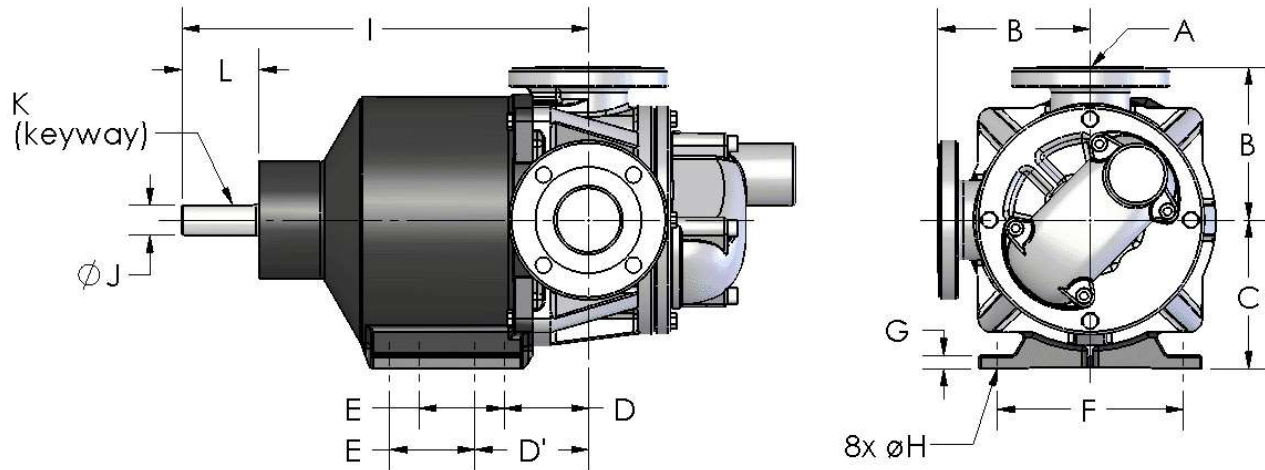
Dim	E Series Value	Viking Value							
		LL4124A (CI)	LL4125 (CI)	LL4225 (CI)	LL4124 (CI)	LL4126A (DI)	LL4123A (CS)	LL4127A (SS)	LL4724 (SS)
A	3" ANSI 150#	✓	✓	✓	✓	✓	✓	✓	✓
B	7.188	✓	✓	✓	✓	✓	✓	✓	✓
C	7.000	✓	✓	✓	✓	✓	✓	✓	✓
D	4.000	✓	✓	✓	✓	✓	✓	✓	✓
D'	5.375	n/a	n/a	n/a	n/a	n/a	n/a	n/a	n/a
E	4.000	✓	✓	✓	✓	✓	✓	✓	✓
F	8.750	✓	✓	✓	✓	✓	✓	✓	✓
G	0.625	✓	✓	✓	✓	✓	✓	✓	✓
H	0.531	✓	✓	✓	✓	✓	✓	✓	✓
Standard Shaft	I	19.250	17.875	17.875	17.875	17.875	17.875	17.875	17.875
	J	1.438	1.125	1.125	1.125	1.125	1.125	1.125	1.125
	K	.375 square	.250 sq	.250 sq	.250 sq	.250 sq	.250 sq	.250 sq	.250 sq
	L	3.500 (min)	2.250	2.250	2.250	2.250	2.250	2.250	2.250
Optional Small Shaft	I	17.875	✓	✓	✓	✓	✓	✓	✓
	J	1.125	✓	✓	✓	✓	✓	✓	✓
	K	.250 sq	✓	✓	✓	✓	✓	✓	✓
	L	2.250 (min)	✓	✓	✓	✓	✓	✓	✓

**Pumps with 4" ANSI 150# flanged ports (optional)**

Dim	E Series Value	Viking Value				
		LL4124A (CI)	LL4125 (CI)	LL4225 (CI)	LL4127A (SS)	
A	3" ANSI 150#	✓	✓	✓	✓	
B	7.188	7.375	7.375	7.375	7.375	
C	7.000	✓	✓	✓	✓	
D	4.000	✓	✓	✓	✓	
D <sup>1</sup>	5.375	n/a	n/a	n/a	n/a	
E	4.000	✓	✓	✓	✓	
F	8.750	✓	✓	✓	✓	
G	0.625	✓	✓	✓	✓	
H	0.531	✓	✓	✓	✓	
Standard Shaft	I	19.250	17.875	17.875	17.875	17.875
	J	1.438	1.125	1.125	1.125	1.125
	K	.375 square	.250 sq	.250 sq	.250 sq	.250 sq
	L	3.500 (min)	2.250	2.250	2.250	2.250
Optional Small Shaft	I	17.875	✓	✓	✓	✓
	J	1.125	✓	✓	✓	✓
	K	.250 sq	✓	✓	✓	✓
	L	2.250 (min)	✓	✓	✓	✓

**Dimensional Comparison of E Series and Viking Pump**

<b>E Series Model:</b>	<b>E1-82</b>
<b>Viking Model:</b>	<b>"LS"</b>
<b>Ideal Flowrate:</b>	0.357 gallons per rev



**Pumps with 3" ANSI 150# flanged ports**

Dim	E Series Value	Viking Value							
		LS4124A (CI)	LS4125 (CI)	LS4225 (CI)	LS4124 (CI)	LS4126A (DI)	LS4123A (CS)	LS4127A (SS)	
A	3" ANSI 150#	✓	✓	✓	✓	✓	✓	✓	
B	7.188	✓	✓	✓	✓	✓	✓	✓	
C	7.000	✓	✓	✓	✓	✓	✓	✓	
D	4.000	n/a	n/a	n/a	n/a	n/a	n/a	n/a	
D <sup>1</sup>	5.375	✓	✓	✓	5.188	✓	✓	✓	
E	4.000	✓	✓	✓	✓	✓	✓	✓	
F	8.750	✓	✓	✓	✓	✓	✓	✓	
G	0.625	✓	✓	✓	✓	✓	✓	✓	
H	0.531	✓	✓	✓	✓	✓	✓	✓	
Standard Shaft	I	19.250	✓	✓	✓	18.375	✓	✓	✓
	J	1.438	✓	✓	✓	✓	✓	✓	
	K	.375 square	✓	✓	✓	✓	✓	✓	
	L	3.500 (min)	✓	✓	✓	✓	✓	✓	
Optional Small Shaft	I	17.875	19.250	19.250	19.250	19.250	19.250	19.250	19.250
	J	1.125	1.438	1.438	1.438	1.438	1.438	1.438	1.438
	K	.250 sq	.375 sq	.375 sq	.375 sq	.375 sq	.375 sq	.375 sq	.375 sq
	L	2.250 (min)	3.500	3.500	3.500	3.500	3.500	3.500	3.500

(1) = OPTIONAL SMALL SHAFT AND D1 MOUNTING HOLES MATCH MOUNTING DIMENSIONS OF MOST L, LQ AND LL MODELS.



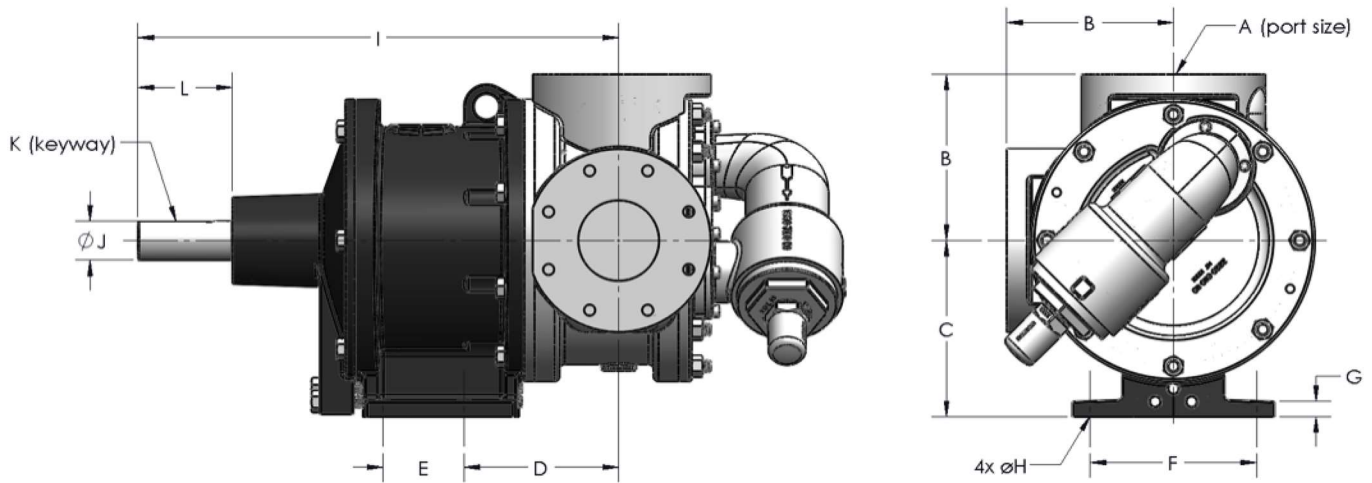
**Pumps with 4" ANSI 150# flanged ports (optional)**

Dim	E Series Value	Viking Value						
		LS4124A (CI)	LS4125 (CI)	LS4225 (CI)	LS4123A (CS)	LS4223A (CS)	LS4127A (SS)	LS4227A (SS)
A	4" ANSI 150#	✓	✓	✓	✓	✓	✓	✓
B	7.188	✓	✓	✓	✓	✓	✓	✓
C	7.000	✓	✓	✓	✓	✓	✓	✓
D	4.000	n/a	n/a	n/a	n/a	n/a	n/a	n/a
D <sup>1</sup>	5.375	✓	✓	✓	✓	✓	✓	✓
E	4.000	✓	✓	✓	✓	✓	✓	✓
F	8.750	✓	✓	✓	✓	✓	✓	✓
G	0.625	✓	✓	✓	✓	✓	✓	✓
H	0.531	✓	✓	✓	✓	✓	✓	✓
Standard Shaft	I	19.250	✓	✓	✓	✓	✓	✓
	J	1.438	✓	✓	✓	✓	✓	✓
	K	.375 square	✓	✓	✓	✓	✓	✓
	L	3.500 (min)	✓	✓	✓	✓	✓	✓
Optional Small Shaft	I	17.875	19.250	19.250	19.250	19.250	19.250	19.250
	J	1.125	1.438	1.438	1.438	1.438	1.438	1.438
	K	.250 sq	.375 sq	.375 sq	.375 sq	.375 sq	.375 sq	.375 sq
	L	2.250 (min)	3.500	3.500	3.500	3.500	3.500	3.500

(1) = OPTIONAL SMALL SHAFT AND D1 MOUNTING HOLES MATCH MOUNTING DIMENSIONS OF MOST L, LQ AND LL MODELS.

**Dimensional Comparison of E Series and Viking Pump**

<b>E Series Model:</b>	<b>E1-133</b>
<b>Viking Model:</b>	<b>"Q"</b>
<b>Ideal Flowrate:</b>	0.655 gallons per rev



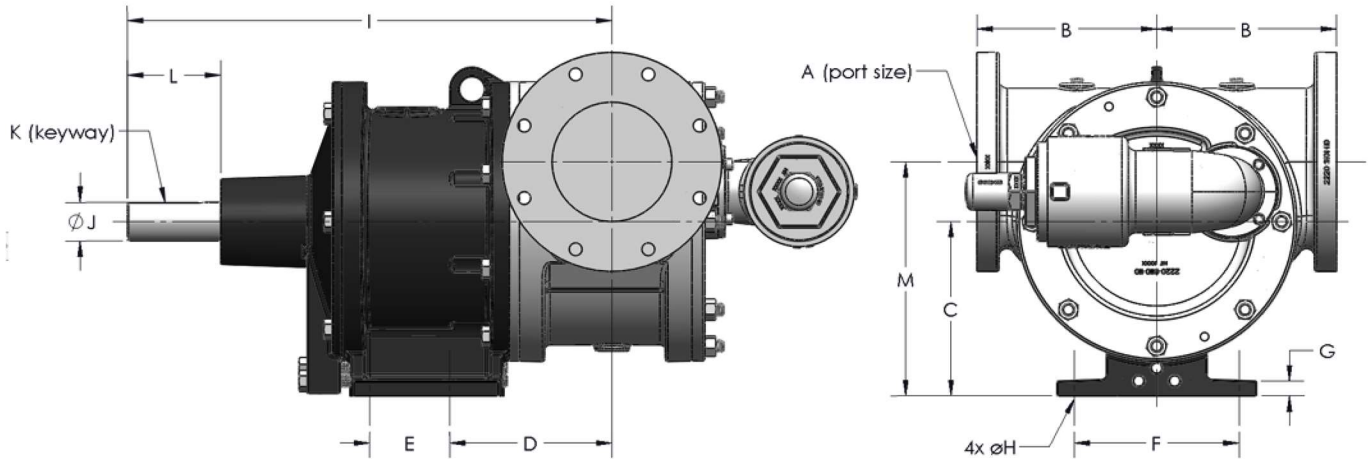
**Pumps with 4" 150# ANSI flanged ports**

Dim	E Series Value	Viking Value													
		Q4124A (CI)	Q4224A (CI)	Q4124B (CI)	Q4224B (CI)	Q4125 (CI)	Q4225 (CI)	QR4124 (CI)	QR4224 (CI)	Q4126A (DI)	Q4226A (DI)	Q4123A (CS)	Q4223A (CS)	Q4127A (SS)	Q4227A (SS)
A	4" ANSI 150#	✓	✓	✓	✓	✓	✓	✓	✓	✓	✓	✓	✓	✓	✓
B	8.250	✓	✓	✓	✓	✓	✓	✓	✓	✓	✓	✓	✓	✓	✓
C	8.750	✓	✓	✓	✓	✓	✓	✓	✓	✓	✓	✓	✓	✓	✓
D	7.650	✓	✓	✓	✓	✓	✓	4.620	✓	✓	✓	✓	✓	✓	✓
E	4.000	✓	✓	✓	✓	✓	✓	✓	✓	✓	✓	✓	✓	✓	✓
F	8.240	✓	✓	✓	✓	✓	✓	✓	✓	✓	✓	✓	✓	✓	✓
G	0.750	✓	✓	✓	✓	✓	✓	✓	✓	✓	✓	✓	✓	✓	✓
H	0.690	✓	✓	✓	✓	✓	✓	✓	✓	✓	✓	✓	✓	✓	✓
I	23.780	✓	✓	✓	✓	✓	✓	20.750	✓	✓	✓	✓	✓	✓	✓
J	1.938	✓	✓	✓	✓	✓	✓	✓	✓	✓	✓	✓	✓	✓	✓
K	.500 square	✓	✓	✓	✓	✓	✓	✓	✓	✓	✓	✓	✓	✓	✓
L	4.500 (min)	✓	✓	✓	✓	✓	✓	✓	✓	✓	✓	✓	✓	✓	✓

# DIMENSIONAL COMPARISON

## Dimensional Comparison of E Series and Viking Pump

<b>E Series Model:</b>	<b>E1-222</b>
<b>Viking Model:</b>	<b>“QS”</b>
<b>Ideal Flowrate:</b>	0.982 gallons per rev



### Pumps with 6" 150# ANSI flanged ports

Dim	E Series Value	Viking Value											
		QS4124A (CI)	QS4224A (CI)	QS4124B (CI)	QS4224B (CI)	QS4125 (CI)	QS4225 (CI)	QS4126A (DI)	QS4226A (DI)	QS4123A (CS)	QS4223A (CS)	QS4127A (SS)	QS4227A (SS)
A	6" ANSI 150#	✓	✓	✓	✓	✓	✓	✓	✓	✓	✓	✓	✓
B	9.000	✓	✓	✓	✓	✓	✓	✓	✓	✓	✓	✓	✓
C	8.750	✓	✓	✓	✓	✓	✓	✓	✓	✓	✓	✓	✓
D	8.120	✓	✓	✓	✓	✓	✓	✓	✓	✓	✓	✓	✓
E	4.000	✓	✓	✓	✓	✓	✓	✓	✓	✓	✓	✓	✓
F	8.240	✓	✓	✓	✓	✓	✓	✓	✓	✓	✓	✓	✓
G	0.750	✓	✓	✓	✓	✓	✓	✓	✓	✓	✓	✓	✓
H	0.690	✓	✓	✓	✓	✓	✓	✓	✓	✓	✓	✓	✓
I	24.250	✓	✓	✓	✓	✓	✓	✓	✓	✓	✓	✓	✓
J	1.938	✓	✓	✓	✓	✓	✓	✓	✓	✓	✓	✓	✓
K	.500 square	✓	✓	✓	✓	✓	✓	✓	✓	✓	✓	✓	✓
L	4.500 (min)	✓	✓	✓	✓	✓	✓	✓	✓	✓	✓	✓	✓
M	11.750	✓	✓	✓	✓	✓	✓	✓	✓	✓	✓	✓	✓

PSG Grand Rapids  
1809 Century Avenue SW  
Grand Rapids, MI 49503 USA  
P: +1 (616) 241-1611 • F: +1 (616) 241-3752  
info@blackmer.com  
blackmer.com



Where Innovation Flows

---

PSG® reserves the right to modify the information and illustrations contained in this document without prior notice. This is a non-contractual document. 05-2018